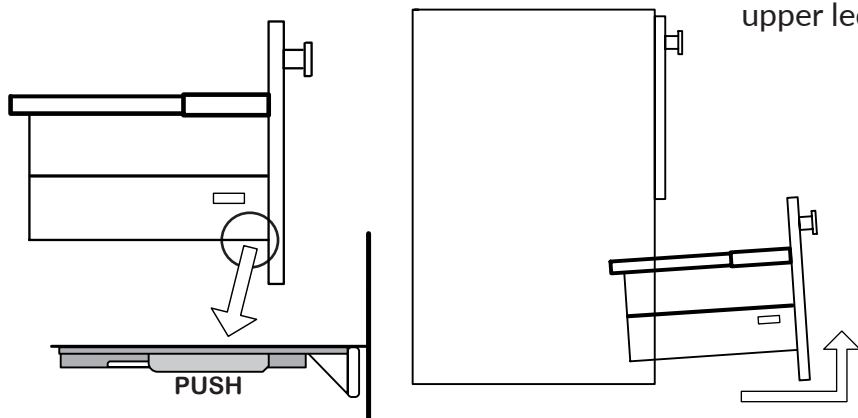


## PUR-BATHROOM CABINET WITH DRAWERS - INSTALLATION GUIDE

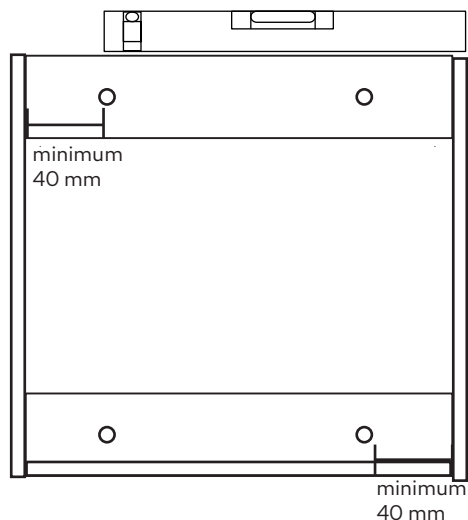
Handle the products on a soft surface to avoid damaging the parts during installation. The package does not include wall screws. Choose the appropriate screws and wall plugs based on the wall material.

1. Remove the drawers. Open the drawer and release the lock by pressing the grey buttons located underneath the drawer sides.

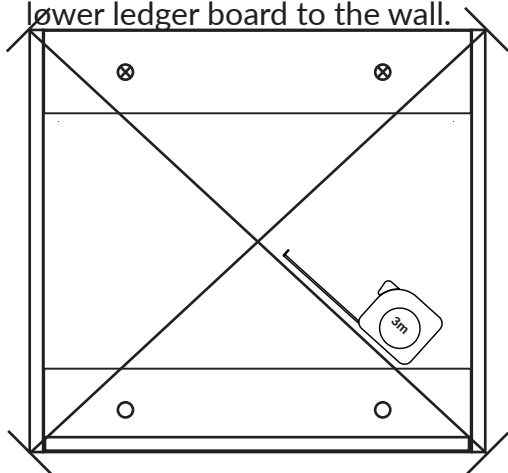


2. Pre-drill holes in the upper and lower ledger board, at least 40 mm from the sides of the frame.

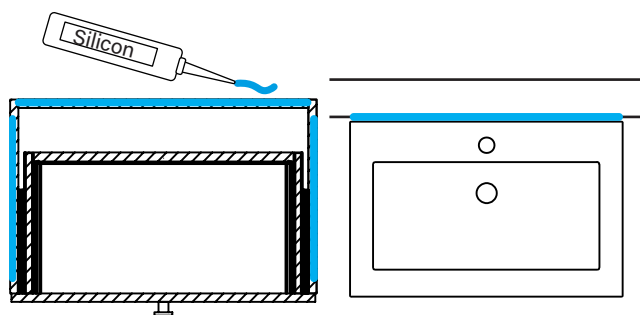
3. Position the frame at the desired height and use a level to ensure it is straight. First, attach the upper ledger board to the wall from two points.



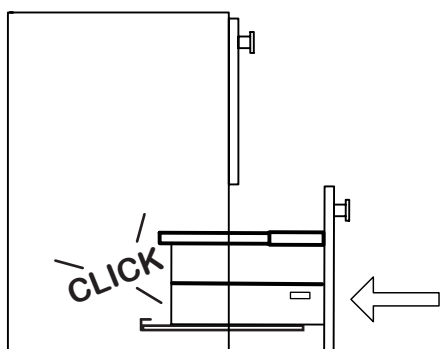
4. Check the diagonal measurements of the frame to ensure it is straight. Then, secure the lower ledger board to the wall.



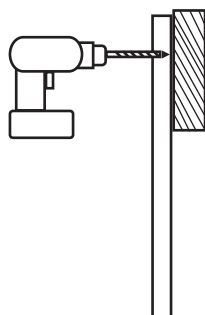
5. Apply silicone to the top edge of the frame and place the sink in position. Seal the gap between the sink and the wall with silicone. Allow it to dry according to product instructions.



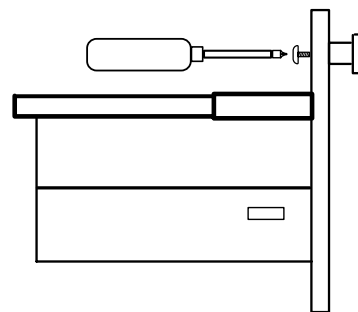
6. Reinstall the drawers.



7. Drill a hole for the handle screw with the help of pilot holes. Use a backer board to prevent the surface from tearing.



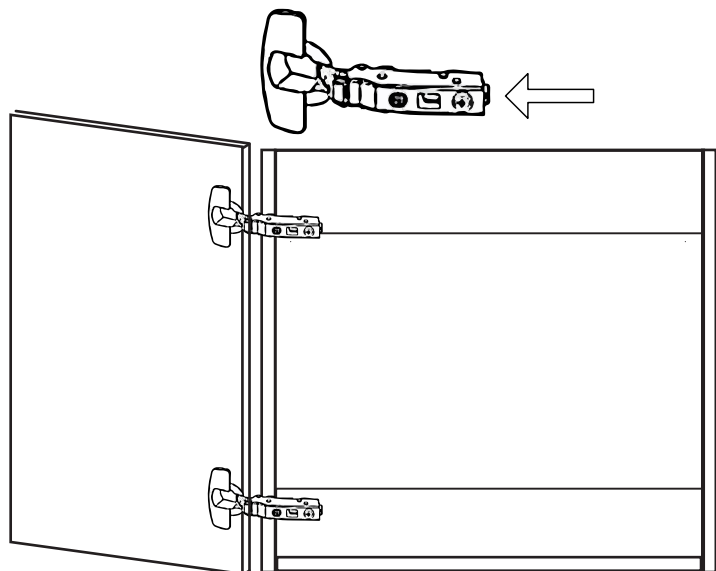
8. Attach the handles using the screws provided. Tighten with a screwdriver.



## PUR-BATHROOM CABINET WITH DOORS - INSTALLATION GUIDE

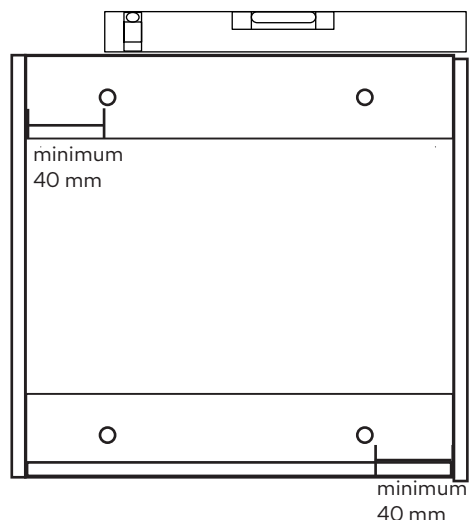
Handle the products on a soft surface to avoid damaging the parts during installation. The package does not include wall screws. Choose the appropriate screws and wall plugs based on the wall material.

1. Remove the loose shelves and the door. Detach the door by releasing the hinge lock by pressing the bottom at the end of the hinge.

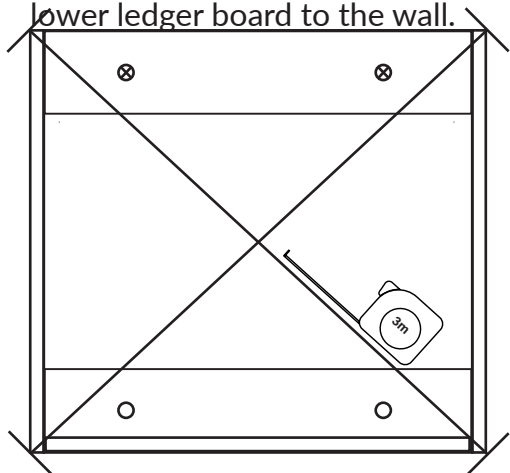


2. Pre-drill holes in the upper and lower ledger board, at least 40 mm from the sides of the frame.

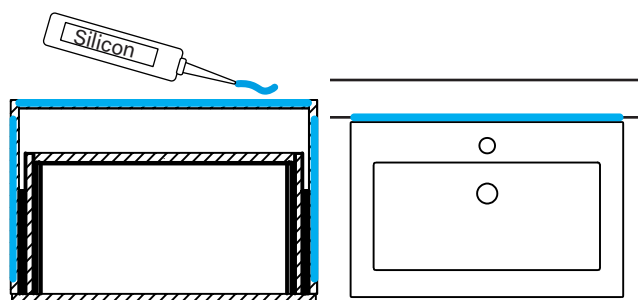
3. Position the frame at the desired height and use a level to ensure it is straight. First, attach the upper ledger board to the wall from two points.



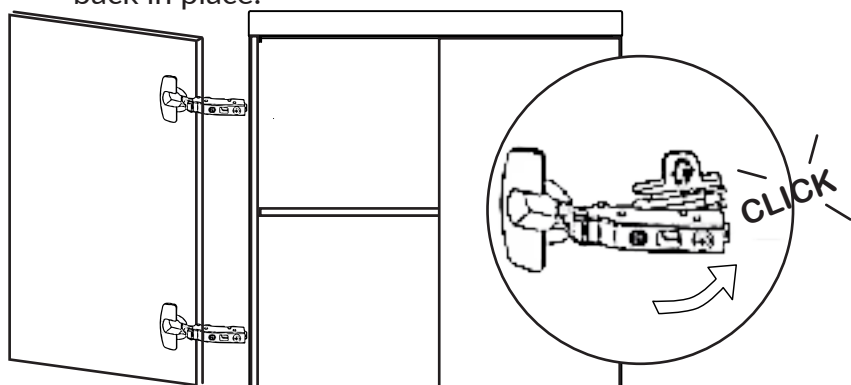
4. Check the diagonal measurements of the frame to ensure it is straight. Then, secure the lower ledger board to the wall.



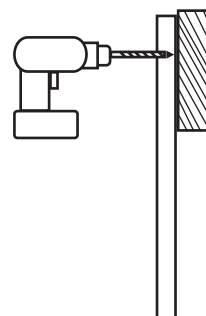
5. Apply silicone to the top edge of the frame and place the sink in position. Seal the gap between the sink and the wall with silicone. Allow it to dry according to product instructions.



6. Install the shelves and the door back in place.



7. Drill a hole for the handle screw with the help of pilot holes. Use a backer board to prevent the surface from tearing.

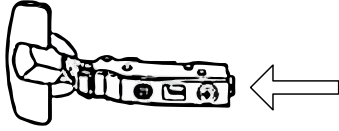


8. Attach the handles using the screws provided. Tighten with a screwdriver.

# PUR-CLOSET INSTALLATION GUIDE

Handle the products on a soft surface to avoid damaging the parts during installation. The package does not include wall screws. Choose the appropriate screws and wall plugs based on the wall material.

1. Remove the loose shelves and the door. Detach the door by releasing the hinge lock by pressing the bottom at the end of the hinge.



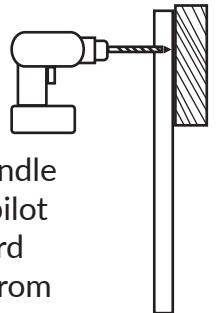
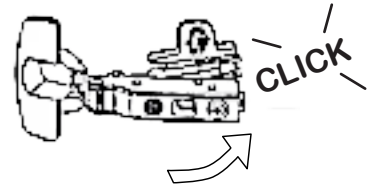
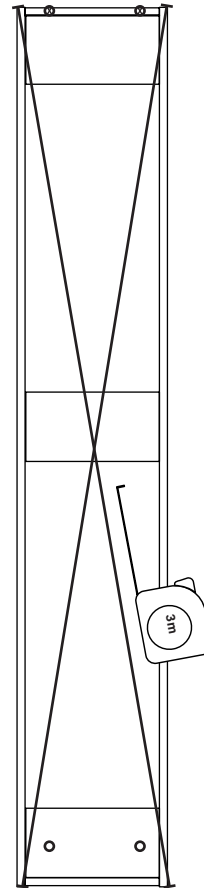
2. Pre-drill holes in the upper and lower ledger board, at least 40 mm from the sides of the frame.

3. Position the frame at the desired height and use a level to ensure it is straight. First, attach the upper ledger board to the wall at two points.



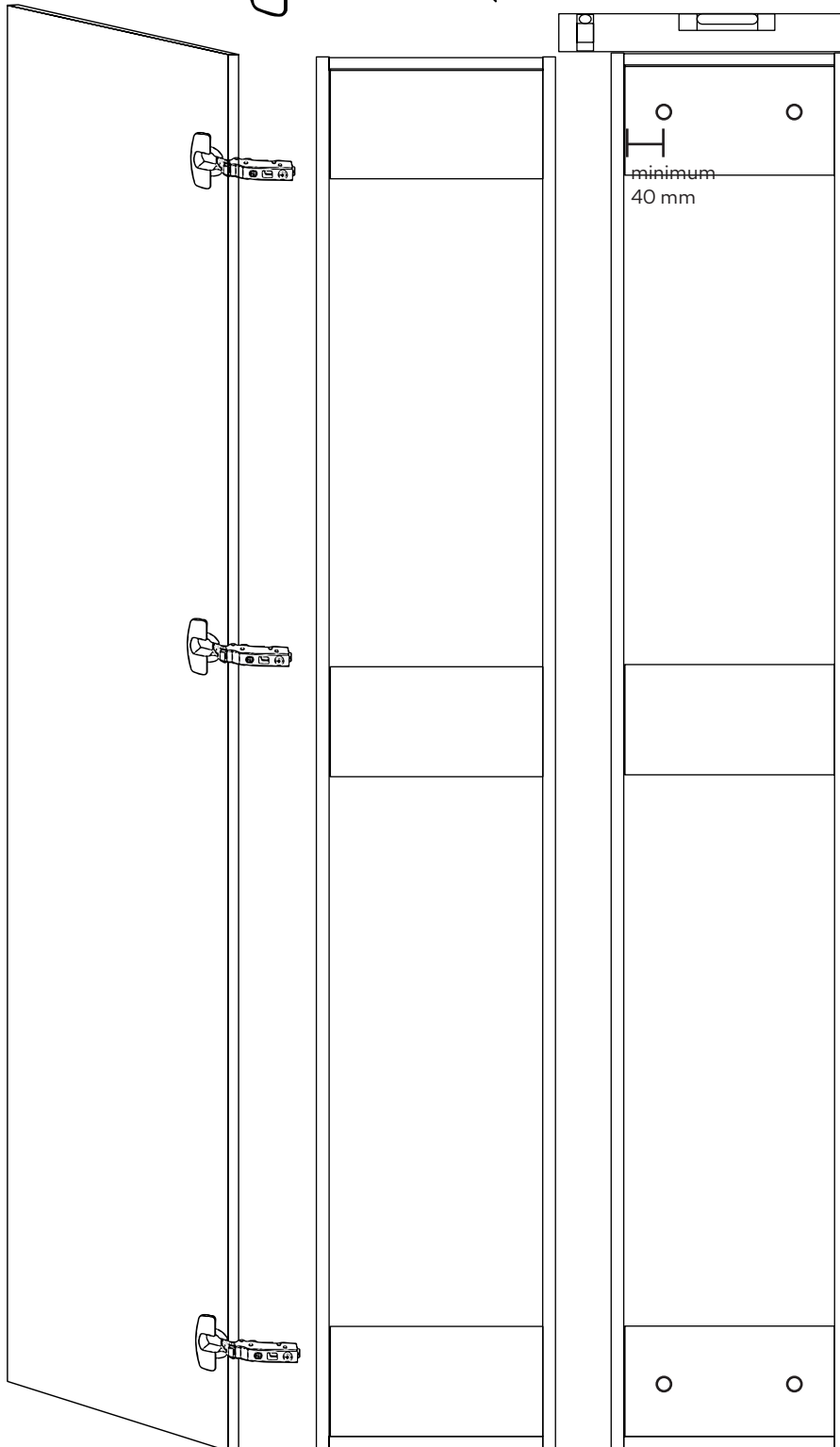
4. Check the diagonal measurements of the frame to ensure it is straight. Then, secure the lower ledger board to the wall.

5. Install the shelves and the door back in place.



6. Drill a hole for the handle screw with the help of pilot holes. Use a backer board to prevent the surface from tearing.

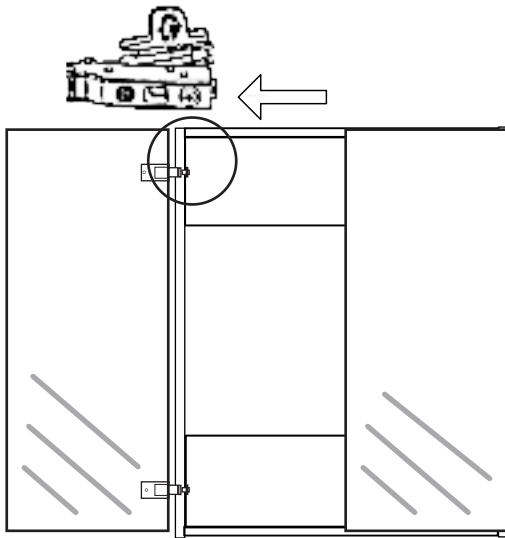
7. Attach the handles using the screws provided. Tighten with a screwdriver.



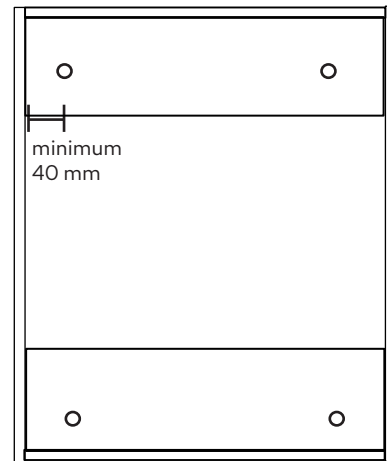
## PUR-CABINET WITH MIRROR DOORS - INSTALLATION GUIDE

Handle the products on a soft surface to avoid damaging the parts during installation. The package does not include wall screws. Choose the appropriate screws and wall plugs based on the wall material.

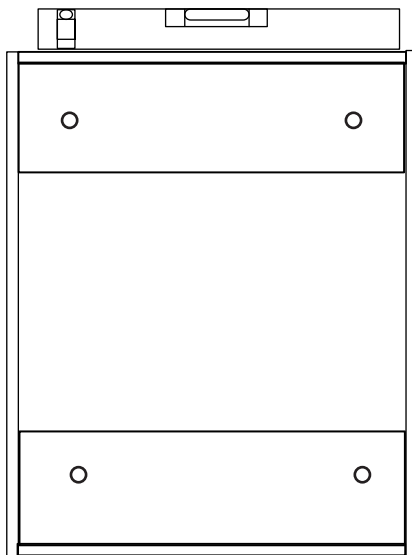
1. Remove the loose shelves and the doors. Detach the door by releasing the hinge lock by pressing the bottom at the end of the hinge.



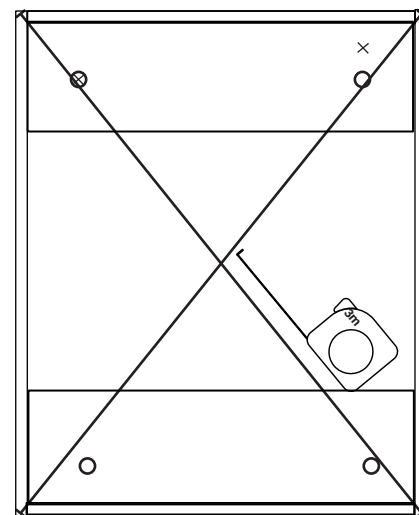
2. Pre-drill holes in the upper and lower ledger board, at least 40 mm from the sides of the frame.



3. Position the frame at the desired height and use a level to ensure it is straight. First, attach the upper ledger board to the wall from two points.



4. Check the diagonal measurements of the frame to ensure it is straight. Then, secure the lower ledger board to the wall.



5. Install the shelves and the door back in place.



6. Glue the handles to the inside of the mirror doors.

